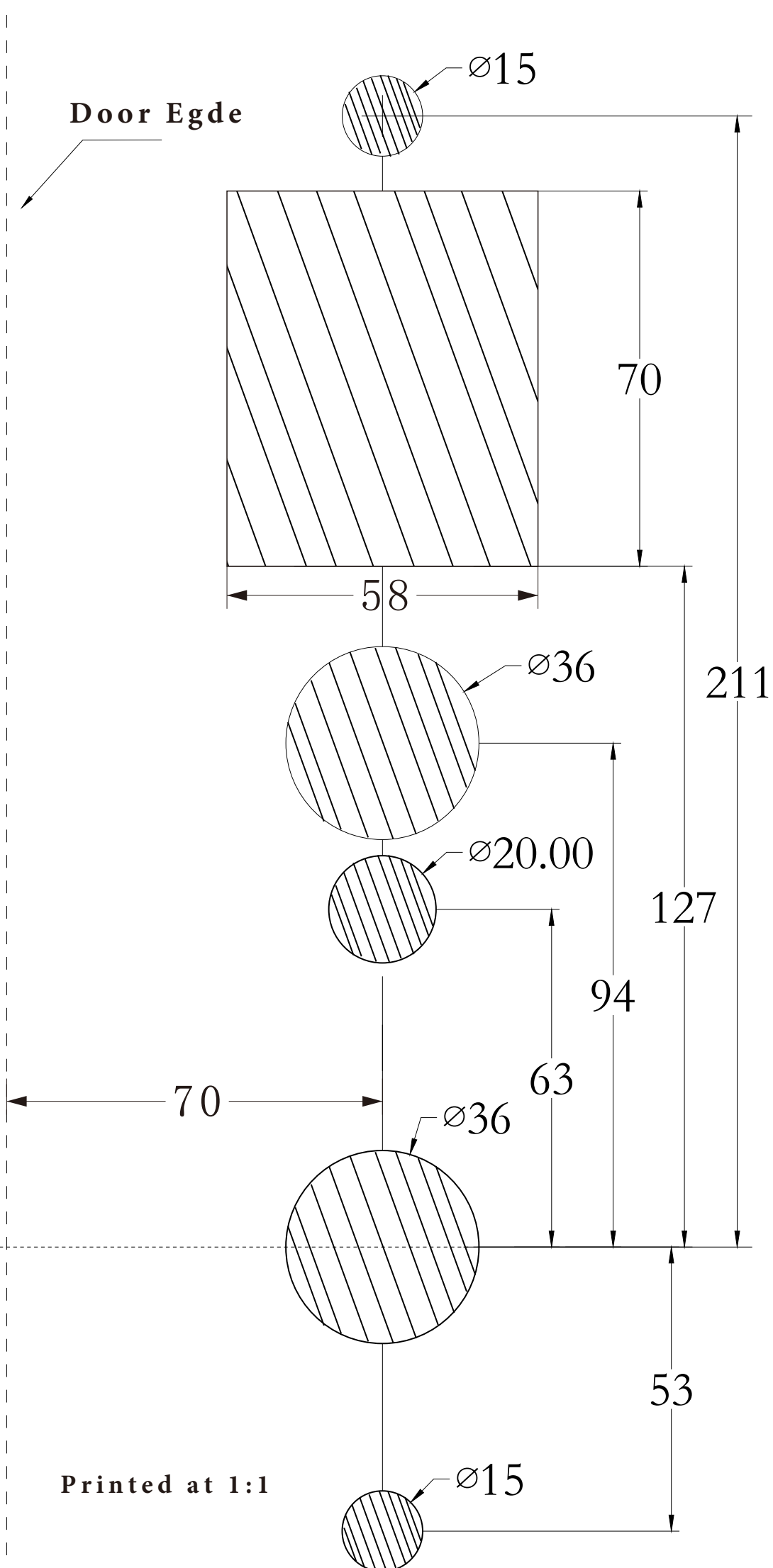
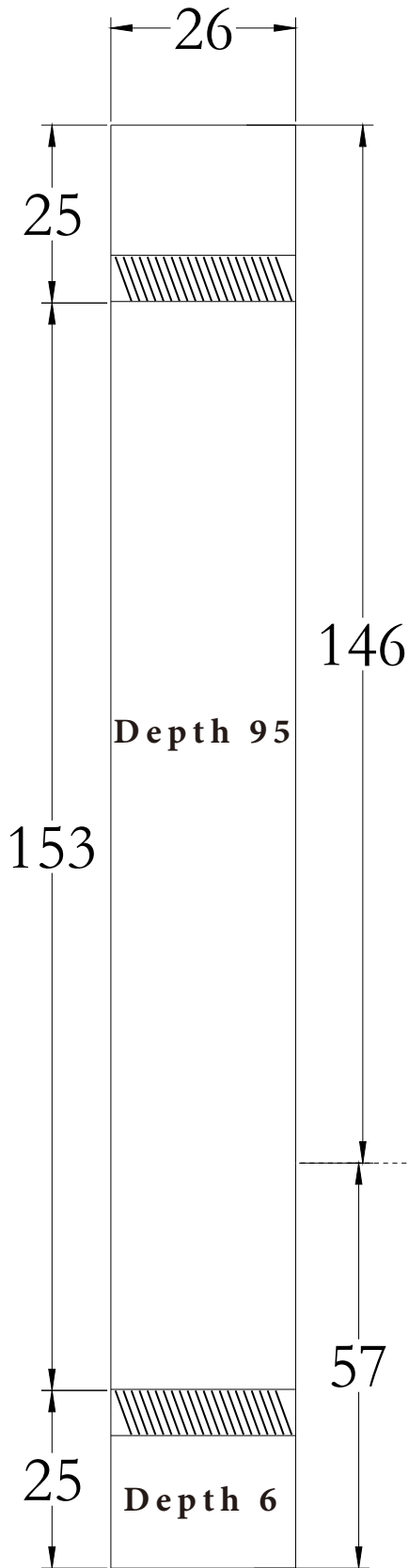


**HL-HA6 Lock
Mortise Drilling
Template (2#DS
Lock Mortise)**



Printed at 1:1