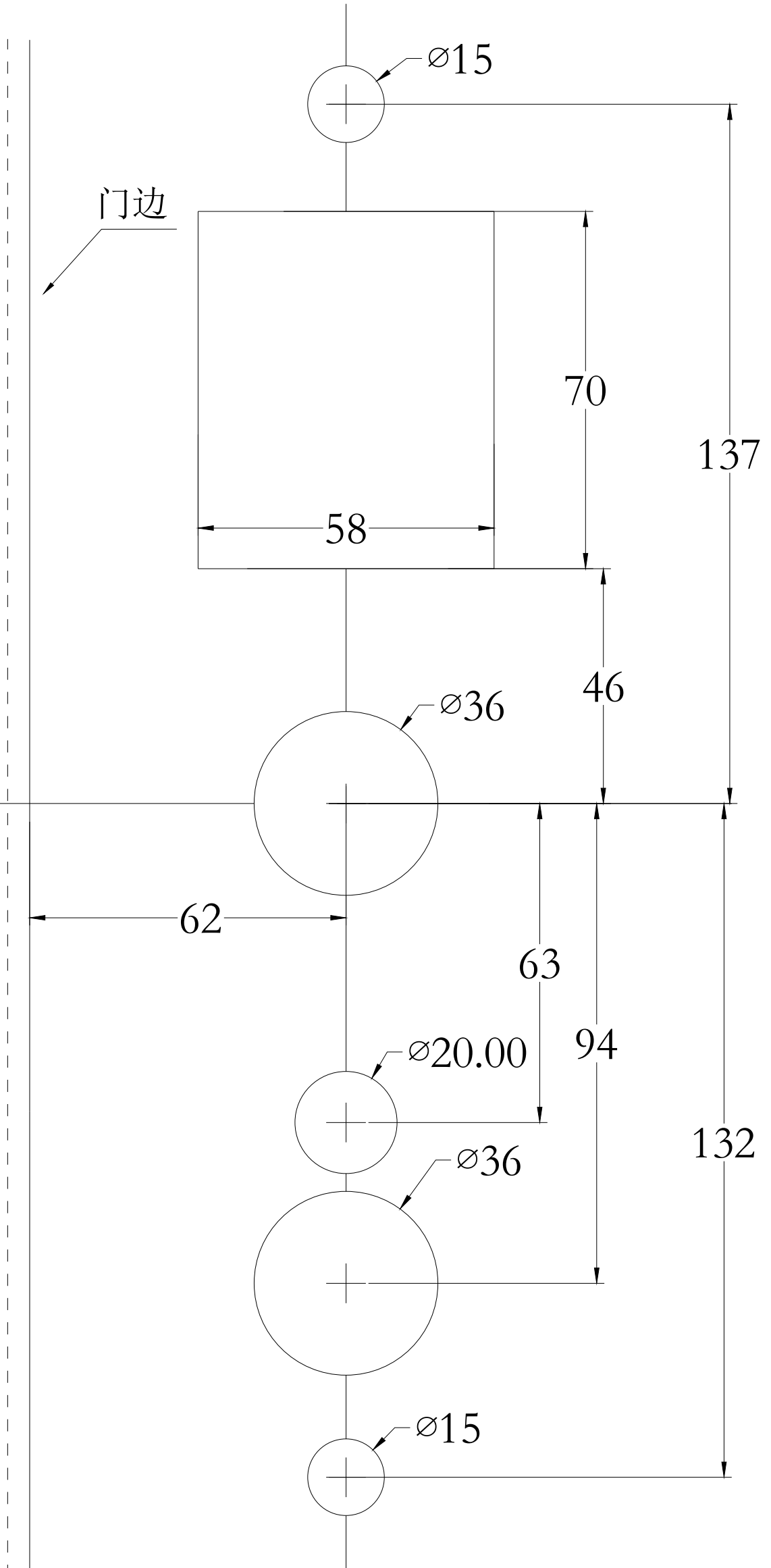
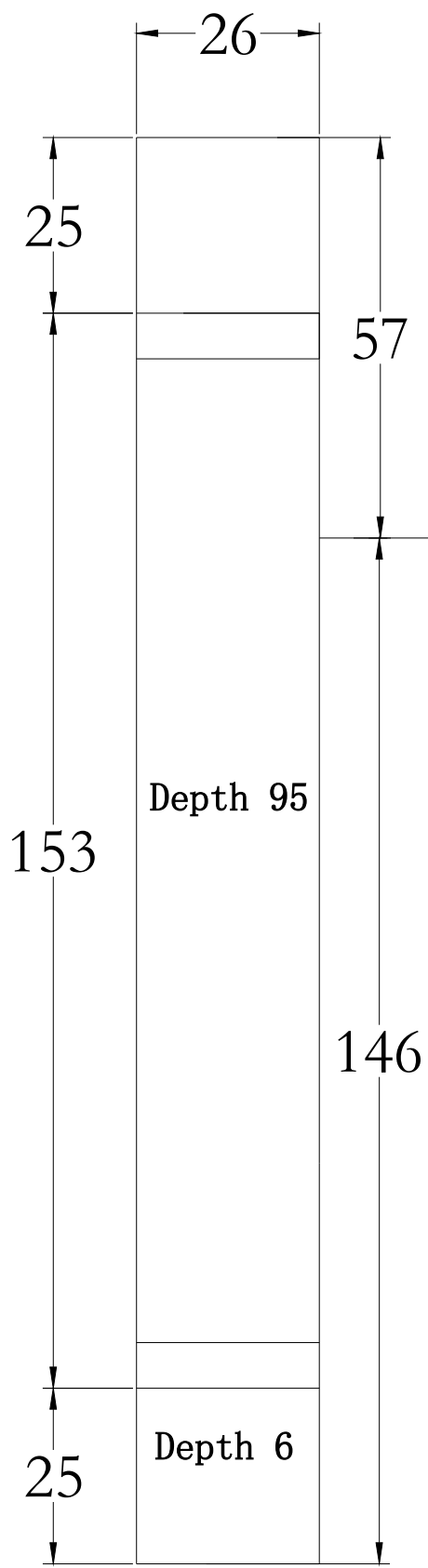


HL-HA7 Lock
Mortise Drilling
Template (2#DS
Lock Mortise)



Printed at 1:1